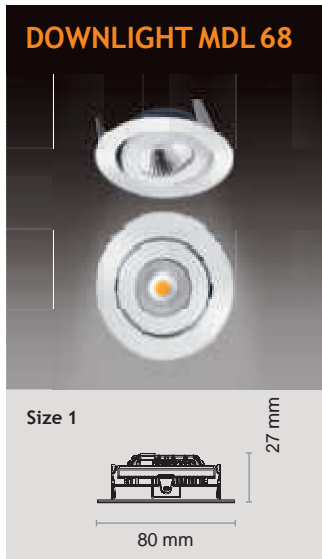


TECHNICAL DATA



LED recessed downlight based on SHARP MINIZENIGATA Multichip COB technology for a classical cut out of D= 68mm with 3 different recessed depths.

The downlights with their different wattages can replace the conventional low voltage halogen lamp technology: 5,21W with a recessed depth of 30 mm can replace 20W, 7,5W with a recessed depth of 45 mm can replace 35W, 12,8W with a recessed depth of 70 mm can replace 50W.

The light heads have a wide beam light distribution. Size 1 and 2 pivot on gimbals through 2 x 30° max. In size 3 the light head pivots in one axis only. One light head can be connected with one ENEC approved and on both sides strain relieved driver via plug-in connectors without the need of tools.

Concerning size 3 (recessed depth 70 mm) it is possible to increase the type of protection to IP44 by snapping a transparent polycarbonate diffusor on the light head. This allows the application especially in bath rooms and below canopies.

- Size 1: Housing / Surround made from aluminium, powder coated in white similar to RAL 9010 or in silver anodized.

- Size 2 and 3: Housing / Surround from die-cast aluminium, powder coated in white similar to RAL 9010 or aluminium brushed and with transparent sealing.

- Size 2 and 3: heat sink from die-cast aluminium, powder coated in black

- Size 2 and 3: white glare control ring in case of white version and black glare control ring in case of aluminum brushed version

- Size 1: Toolless mounting using special spring clips that also allow the removal of the luminaire for refurbishment purposes without destroying the sensitive ceiling panels (e.g. Rigips).

- Size 2 and 3: Toolless mounting using special spring clips with rubberized surface to avoid scratches or cracks in the mounting area

- SHARP MINIZENIGATA LED COB modules for size 1, 2 and 3

- Colour temperature 3000K

- Colour rendition CRI RA >80

- Size 1: Luminaire luminous flux 390 Lumen at 5,21W, 350mA operation

- Size 2: Luminaire luminous flux 540 Lumen at 7,5W, 500mA operation

- Size 3: Luminaire luminous flux 920 Lumen at 12,8W, 350mA operation

- Reflectors from anodized pure aluminium (99,98%),

- Electrical connection of the driver for ceiling installation and of the LED light head with the aid of a flexible supply cable that is strain relieved on both sides

- Primary side connection with single wire line (diameter 1,5mm² and 2,5mm²)

- Optical system protected, easy cleaning of the cover glass

- Standard beam angle 40° at size 1 and 2, 50° at size 3

- Type of protection IP20

- IP44 possible for size 3, using the IP44 diffusor (see accessories)

- Protection class III: Light head

- Protection class II incl. ENEC approved electronic driver

- Switchable drivers for power supply 230V 50/60HZ (no DC)

- Product service life: 50.000h (L70/B50) for all downlights 350mA/500mA

- Product service life: 50.000h (L70/B50) Driver 230V 50/60Hz 20W, 350mA

- Product service life: 30.000h (L70/B50) Drivers 230V 50/60Hz 8W 350mA and 230V 50/60Hz 9W 500mA

- All drivers with ENEC approval mark

- Transparent IP44 diffusor from polycarbonate for toolless and optionally also later mounting on the cover ring in size 3

